



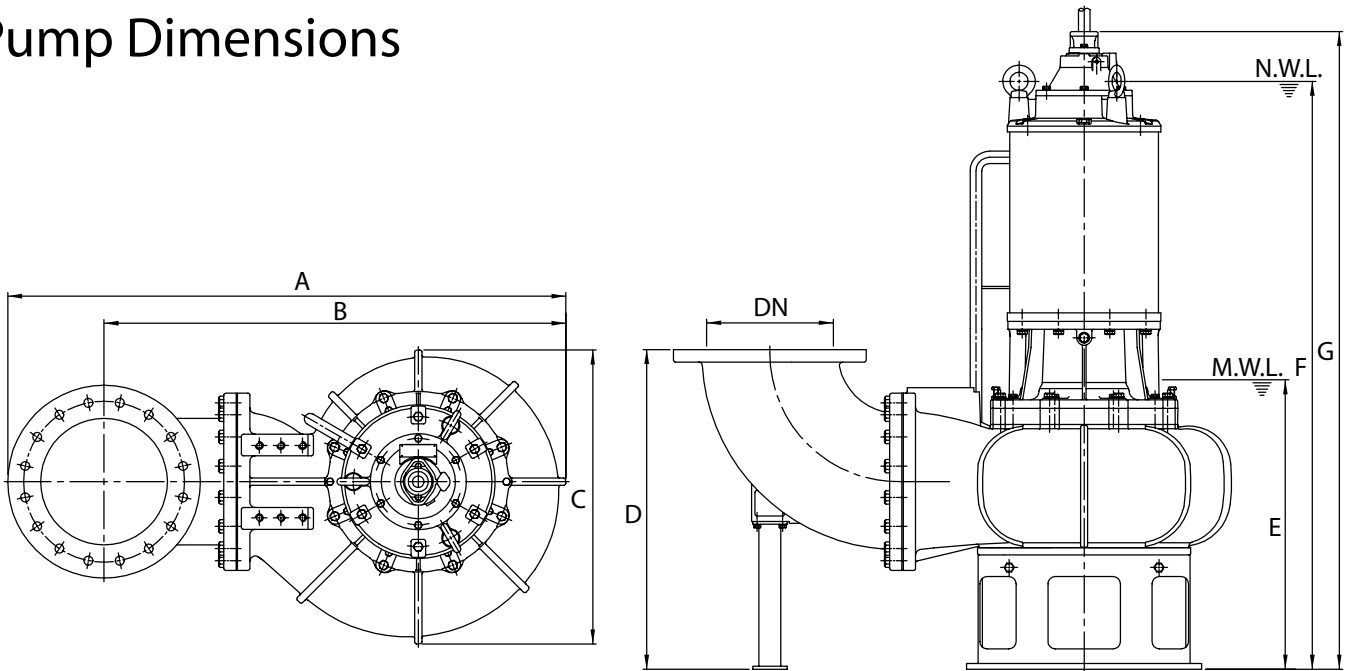
Dimensional Drawing

SNC Models

01/15/2005

SNC-14-XX-500; SNC-14-XX-600; SNC-16-XX-500; SNC-16-XX-600

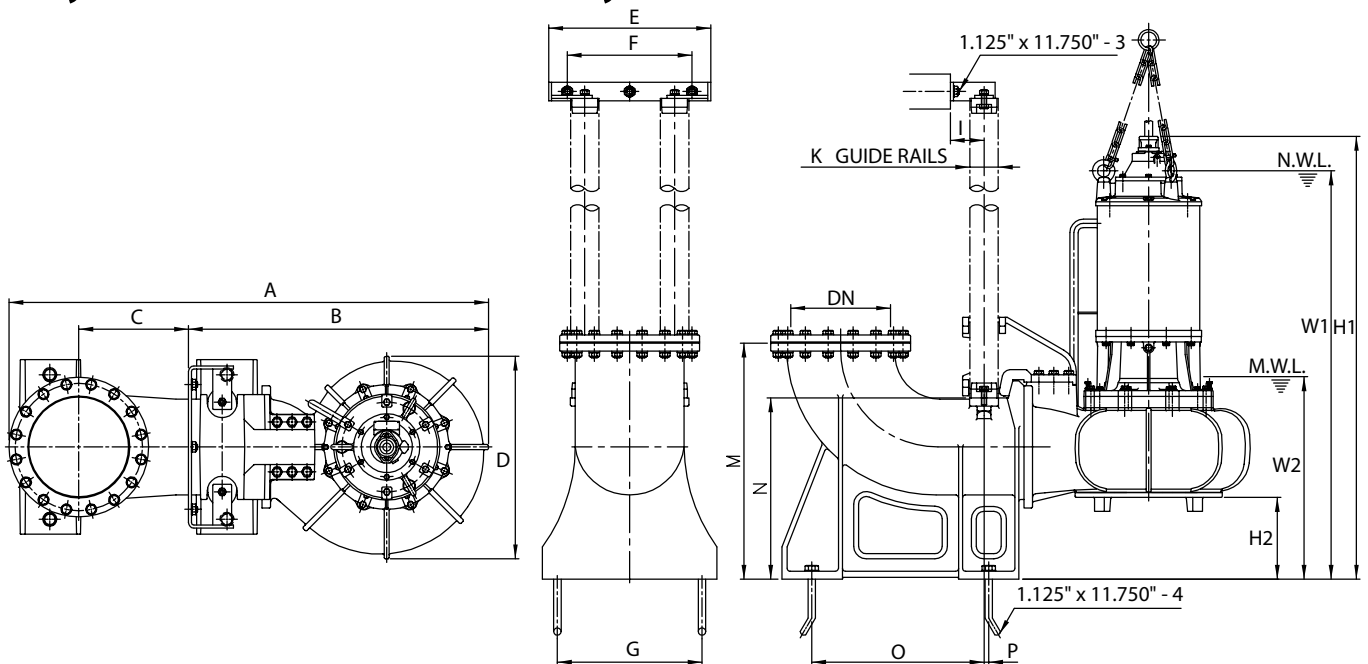
Pump Dimensions



TYPE	DN	A	B	C	D	E	F	G
SNC-14-XX-500	14"	60.75	50.25	32.00	34.75	31.50	-	69.50
SNC-14-XX-600	14"	60.75	50.25	32.00	34.75	31.50	-	69.50
SNC-16-XX-500	16"	60.75	50.25	32.00	34.75	31.50	-	69.50
SNC-16-XX-600	16"	60.75	50.25	32.00	34.75	31.50	-	69.50

N.W.L.: Normal water level
M.W.L.: Minimum water level

Easy Lift GRS - Guide Rail System Dimensions



TYPE	DN	A	B	C	D	E	F	G	I	K	M	O	P	W1	W2	H1	H2
SNC-14-XX-500	14	75.75	47.38	17.38	32.00	25.63	19.63	22.88	5.38	4.00	37.38	27.25	0.75	64.00	32.00	69.88	14.63
SNC-14-XX-600	14	75.75	47.38	17.38	32.00	25.63	19.63	22.88	5.38	4.00	37.38	27.25	0.75	64.00	32.00	69.88	14.63
SNC-16-XX-500	16	75.75	47.38	17.38	32.00	25.63	19.63	22.88	5.38	4.00	37.38	27.25	0.75	64.00	32.00	69.88	14.63
SNC-16-XX-600	16	75.75	47.38	17.38	32.00	25.63	19.63	22.88	5.38	4.00	37.38	27.25	0.75	64.00	32.00	69.88	14.63

All dimensions are in inches unless otherwise noted.

SNC-14 and SNC-16 models must remove base when using Easy Lift GRS - Guide Rail System.